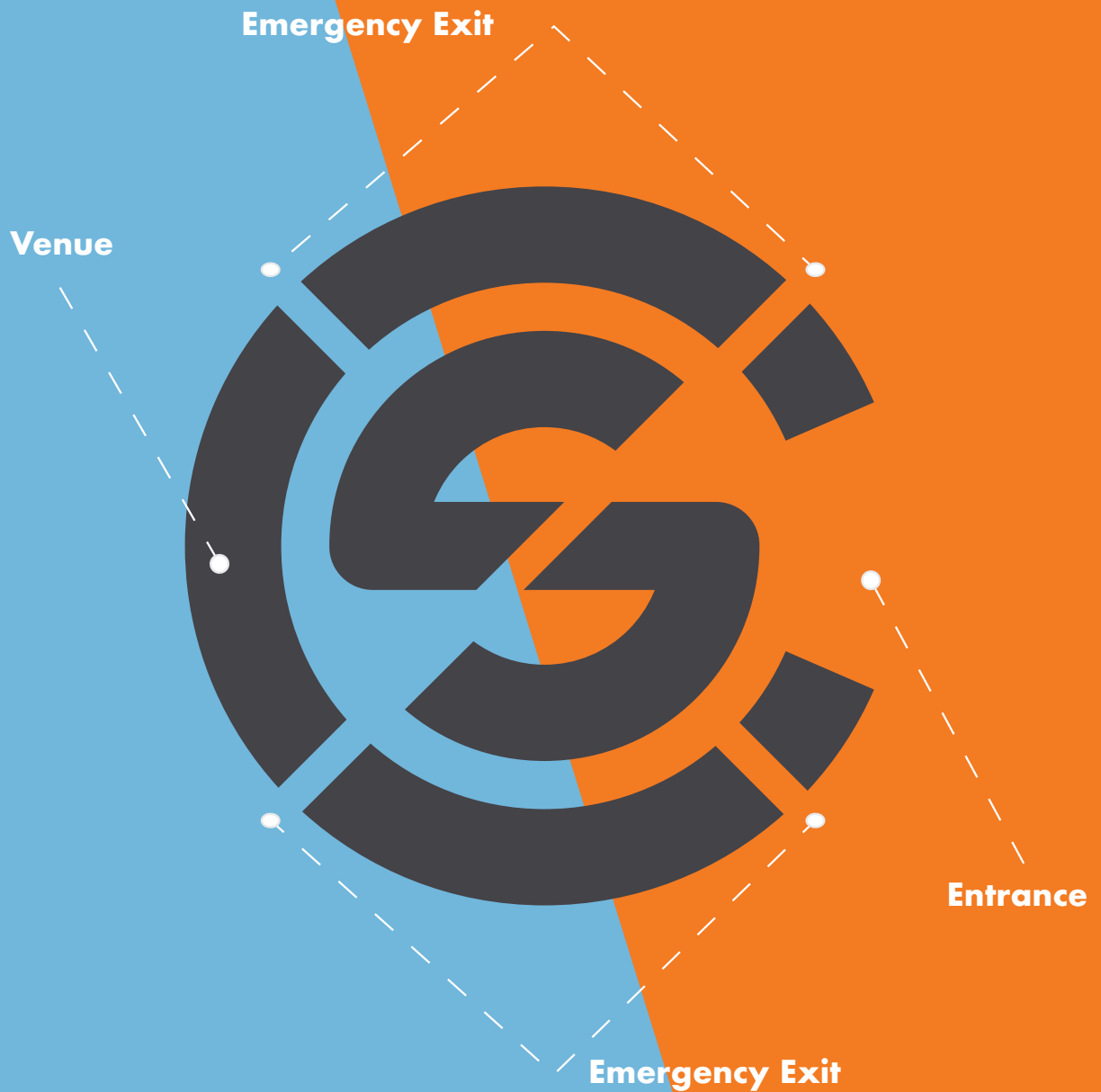


EVENT LOGISTIC



EVENT SAFETY MANAGEMENT

E office@noaevent.ro T + 40 728 303927 W www.crowdandsafety.ro

EVENT SAFETY MANAGEMENT



CROWD CONTROL

STAGE BARRIERS



EVENT SAFETY MANAGEMENT

E office@noaevent.ro T + 40 728 303927 W www.crowdandsafety.ro

EVENT SAFETY MANAGEMENT

STAGE BARRIERS with Fingers Save System

Aluminum crowd barriers are lightweight but robust crowd control systems. Ideal solution to delimit or impede access to and from open spaces during sports events, political rallies, parades, demonstrations, and outdoor and indoor performances.

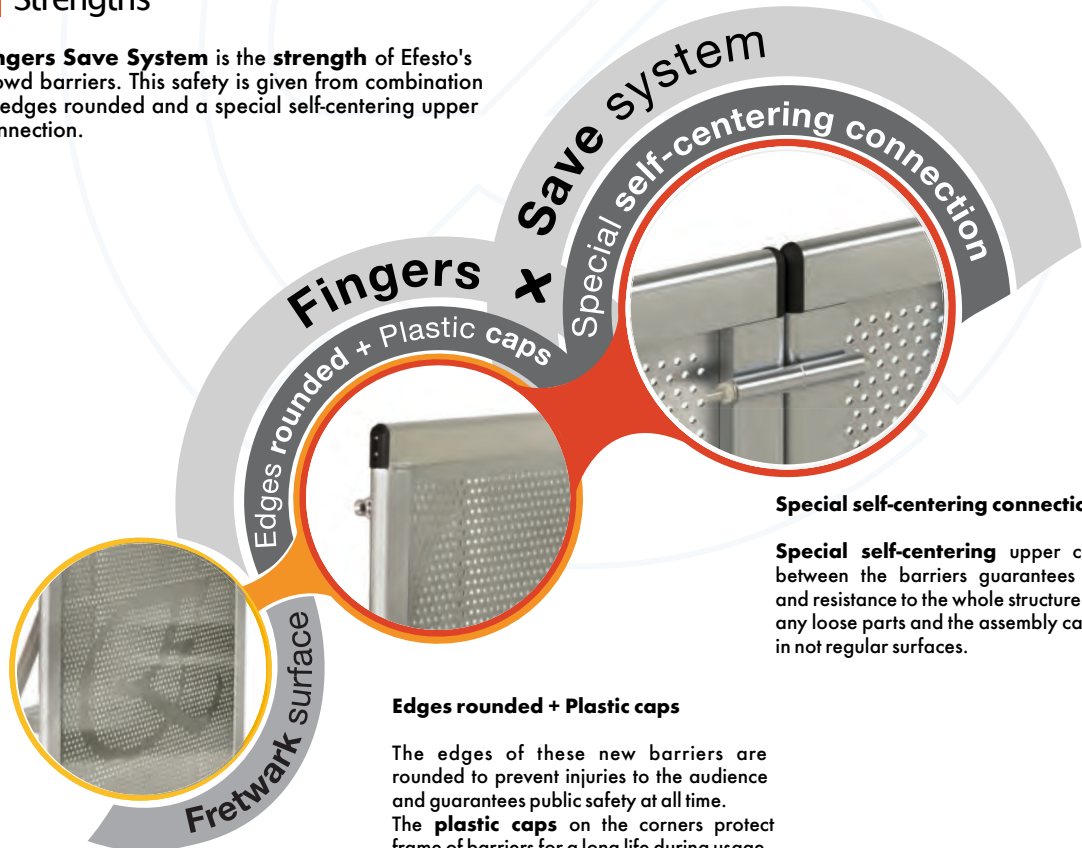


Strengths

Fingers Save System is the **strength** of Efesto's crowd barriers. This safety is given from combination of edges rounded and a special self-centering upper connection.

EVENT SAFETY MANAGEMENT

E office@noaevent.ro T + 40 728 303927 W www.crowdandsafety.ro



Fretwork surface

Fretwork surface

Fretwork surface for a better lightweight, sound transmission and visibility.

Edges rounded + Plastic caps

Edges rounded + Plastic caps

The edges of these new barriers are rounded to prevent injuries to the audience and guarantees public safety at all time. The **plastic caps** on the corners protect frame of barriers for a long life during usage.

Fingers + Save system

Special self-centering connection

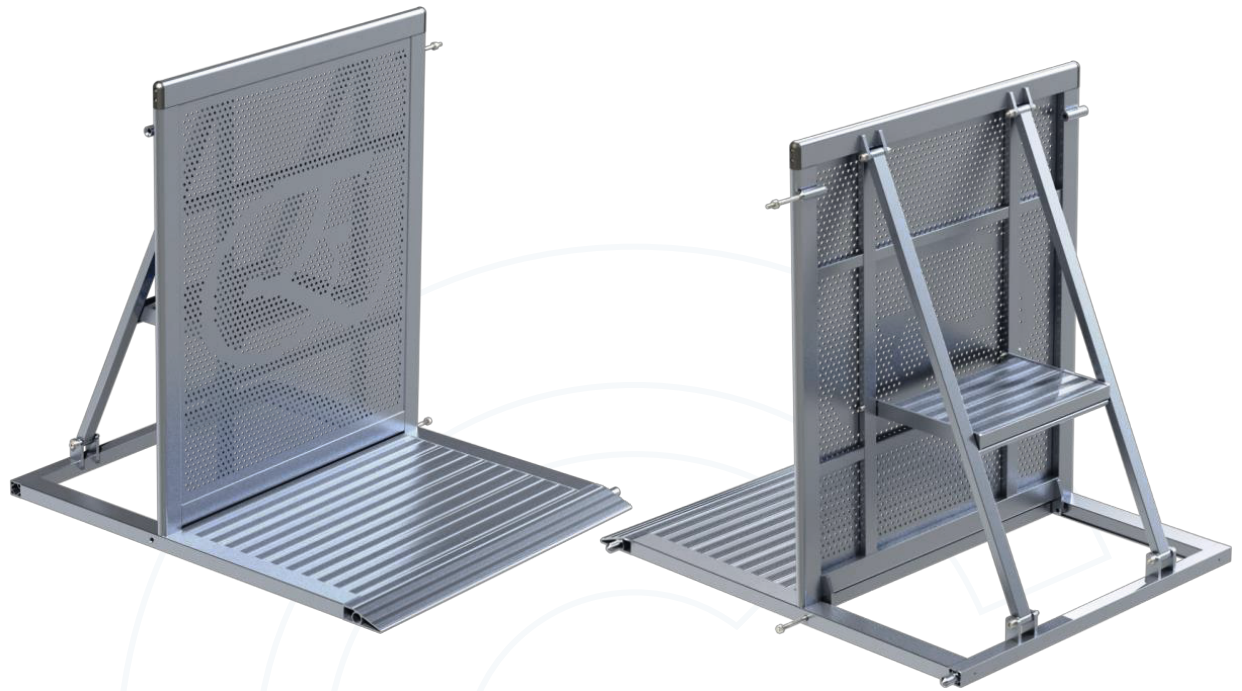
Special self-centering connection

Special self-centering upper connection between the barriers guarantees stability and resistance to the whole structure without any loose parts and the assembly can be set in not regular surfaces.



STAGE BARRIERS STANDARD MODULE

Inventory - 200 pieces

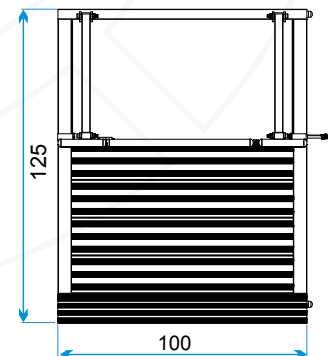
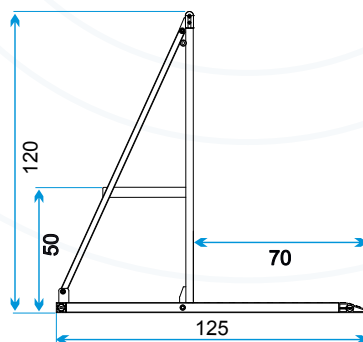
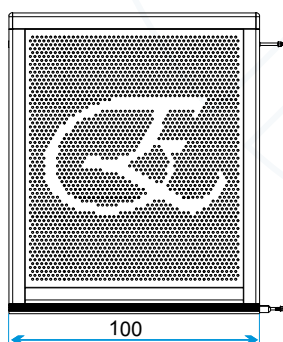


Standard module

The modules are bolted together for one firmly anchored fence.

Set up and assembly are fast and easy thanks connection kit: **only two bolts**.

The crowd barrier, on the back, has practical step that allows at security personnel the access to the public when it is need.



TECHNICAL DATA

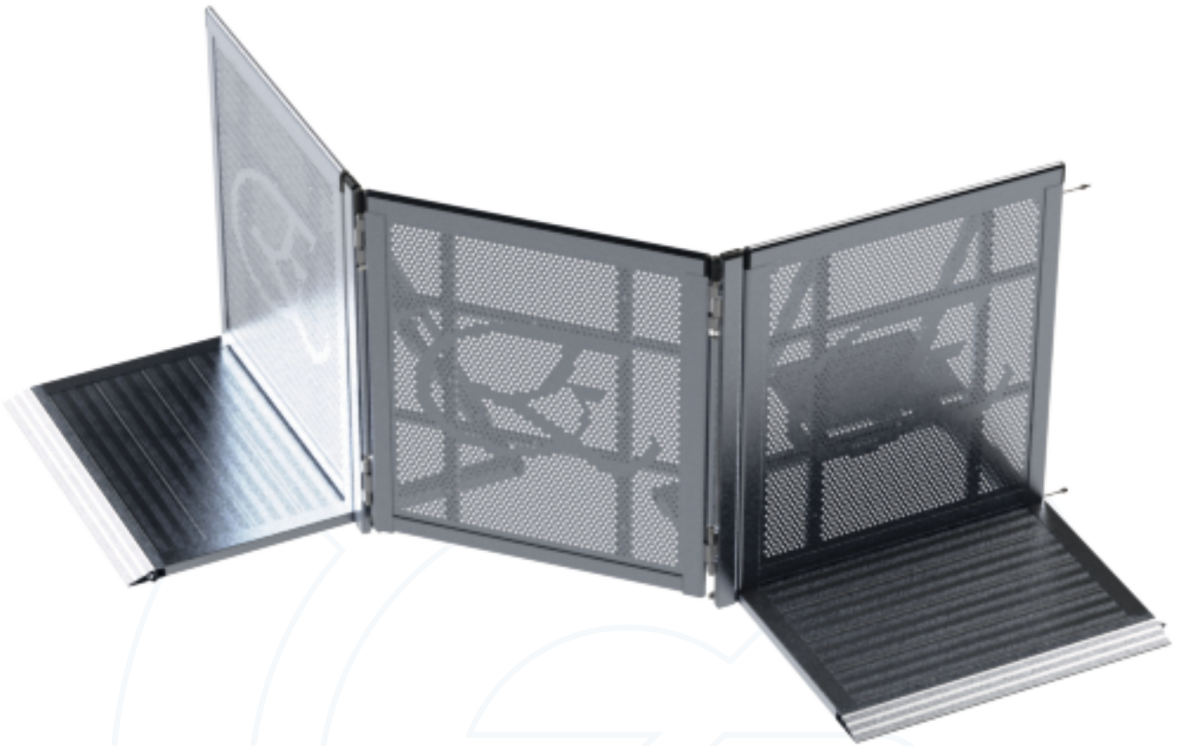
Material	Aluminum alloy
Open Barrier dimensions	100 x 125 H 120 cm
Closed Barrier dimensions	100 x 125 H 10 cm
Step services dimensions	30 x 47 H 50 cm
Weight	38 kg

Advantages

- **Fingers Save System**
- Extended anti skid footboard for a better stable
- Safe and comfortable solutions for both the audience and rescue personnel.

STAGE BARRIERS ADJUSTABLE CORNER MODULE

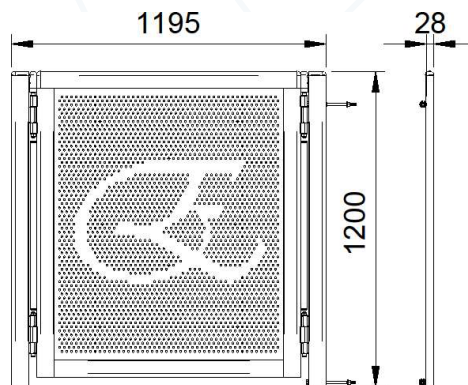
Inventory - 12 pieces



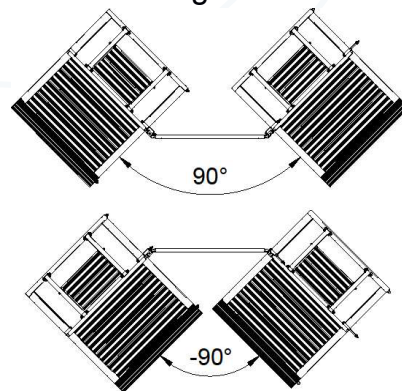
Adjustable corner module

Adjustable corner modules, made of aluminum, are available in several corner types for any need of applications. Adjustable corner module can vary from $\pm 90^\circ$.

The flexible corner is equipped with a robust heavy duty hinge and can be used as an inside as well as an outside corner. The **Adjustable corner modules** can be used also as regular barrier.



Range of use



TECHNICAL DATA

Material	Aluminum alloy
Open Barrier dimensions	100 x 125 H 5 cm
Closed Barrier dimensions	100 x 125 H 5 cm
Corner	$+90^\circ$ or -90°
Weight	20 kg

Advantages

- **Fingers Save System**
- Safe and comfortable solutions for both the audience and rescue personnel.

STAGE BARRIERS ADJUSTABLE CORNER MODULE

Inventory - 8 pieces



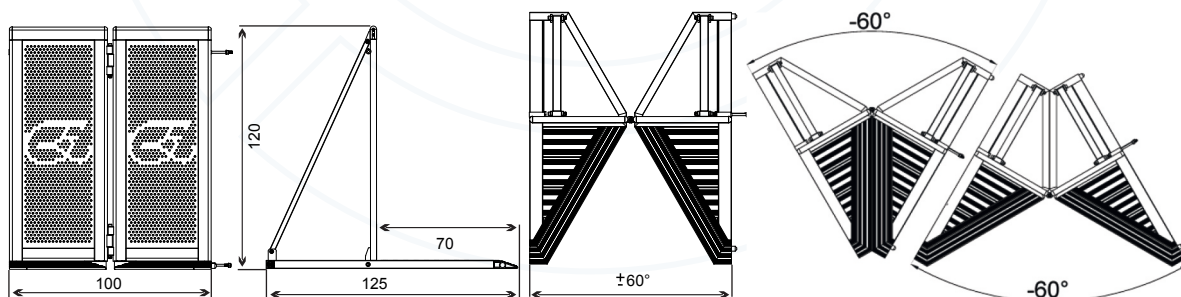
Adjustable corner module

Adjustable corner modules, made of aluminum, are available in several corner types for any need of applications. Adjustable corner module can vary from +/- 60°.

The flexible corner is equipped with a robust heavy duty hinge and can be used as an inside as well as an outside corner.

The **Adjustable corner modules** can be used also as regular barrier.

This safety is given from combination of edges rounded and a special self-centering upper connection.

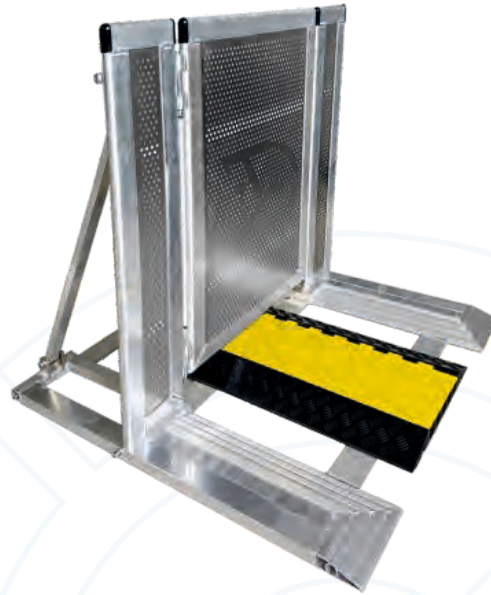


TECHNICAL DATA

Material	Aluminum alloy
Open Barrier dimensions	100 x 125 H 120 cm
Closed Barrier dimensions	100 x 125 H 10 cm
Corner	+60° or -60°
Weight	36 kg

Advantages

- **Fingers Save System**
- Extended anti skid footboard for a better stable
- Safe and comfortable solutions for both the audience and rescue personnel.

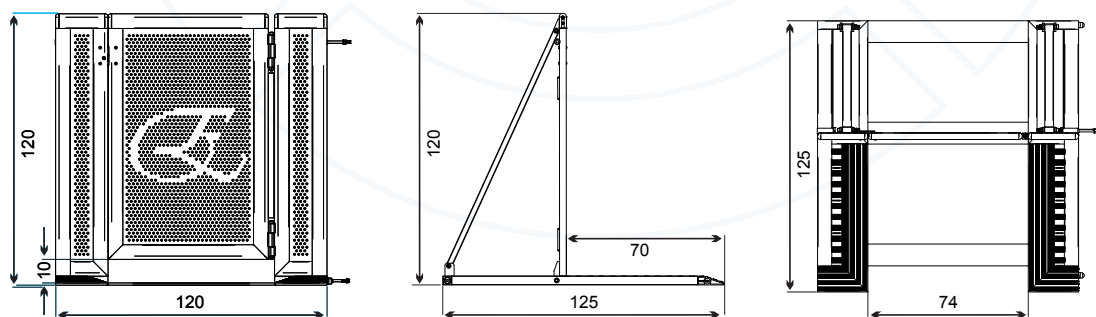


Gate access and cable module

Gate access modules, made of aluminum, are designed to accommodate the transit of cables, hoses and ducts. The gate leaves enough room in width and height to pass any type of standard cable ramp. The door facilitates an easy and fast opening for access of working technicians or security personnel.

The strength of Efesto's crowd barriers is Fingers Save system.

This safety is given from combination of edges rounded and a special self-centering upper connection.

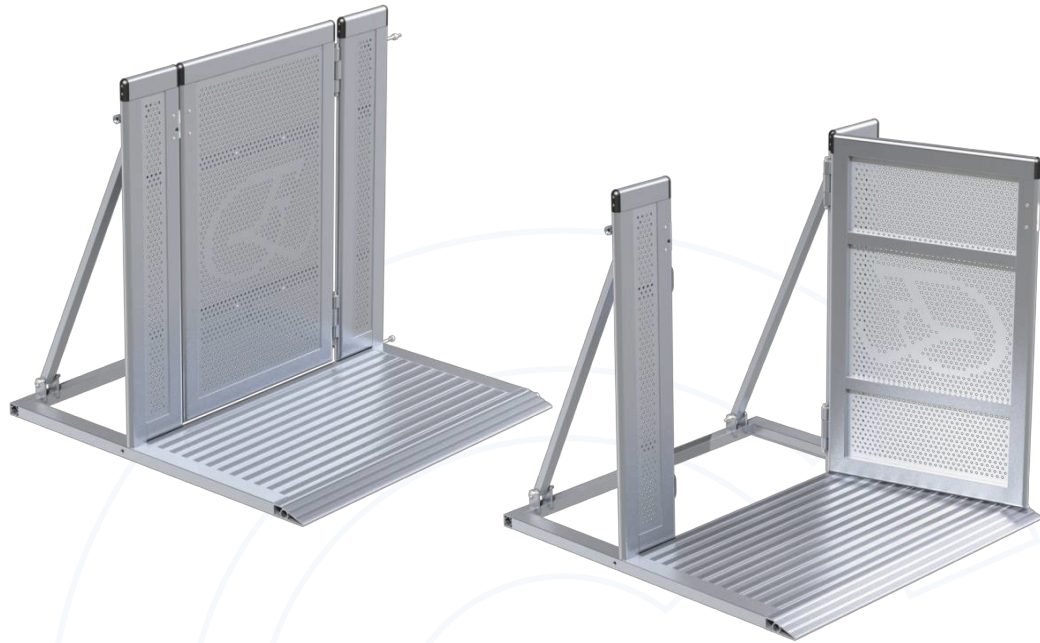


TECHNICAL DATA

Material	Aluminium alloy (Anticorodal)
Open Barrier dimensions	120 x 125 H 120 cm
Closed Barrier dimensions	120 x 125 H 10 cm
Gate width	70 cm
Weight	46 kg

Advantages

- **Fingers Save System**
- Extended anti skid footboard for a better stable
- Safe and comfortable solutions for both the audience and rescue personnel.

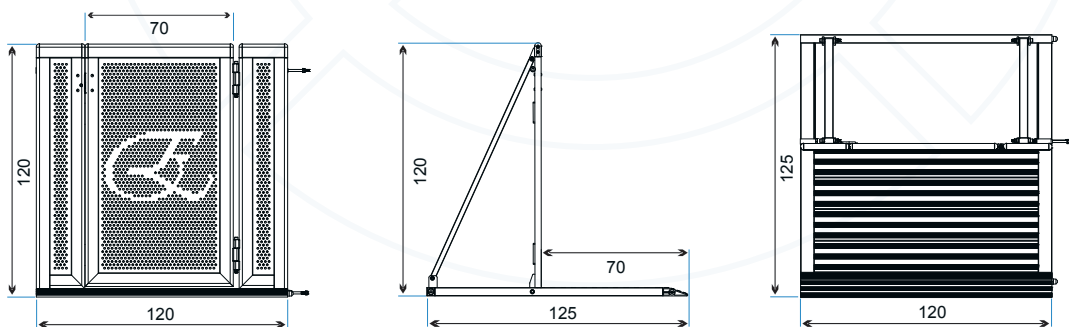


Gate access module

Gate access modules, made of aluminum, are designed for offering an easy and fast opening for access of working technicians or security personnel.

The strength of Efesto's crowd barriers is Fingers Save system.

This safety is given from combination of edges rounded and a special self-centering upper connection.



TECHNICAL DATA

Material	Aluminum alloy
Open Barrier dimensions	120 x 125 H 120 cm
Closed Barrier dimensions	120 x 125 H 10 cm
Gate width	70 cm
Weight	47 kg

Advantages

- **Fingers Save System**
- Extended anti skid footboard for a better stable
- Safe and comfortable solutions for both the audience and rescue personnel.



STAGE BARRIERS EMERGENCY GATE MODULE

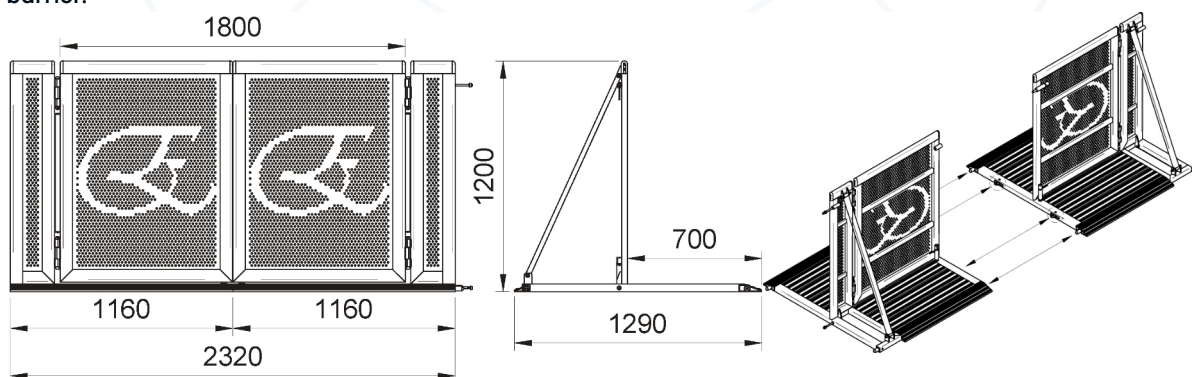
Inventory - 2 pieces



Emergency gate module

Emergency Gate Module is an fast and comfortable access: two separate door gates provide a convenient entrance and/or exit point for your staff before, during and after the event (Gate access width - 180 cm). The **Emergency access barrier** can be used as regular barrier when audiences and spectators need to be held at a distance but also as a gateway to quick walk through when a bigger opening is needed.

The **anti skid - sloped deck** front and back allow a easier lifting of people with health issue over the barrier.



TECHNICAL DATA

Material	Aluminum alloy
Open Barrier dimensions	232 x 129 H 120 cm
Closed Barrier dimensions	116 x 129 H 20 cm
Gate width	180 cm
Weight	98 kg

Advantages

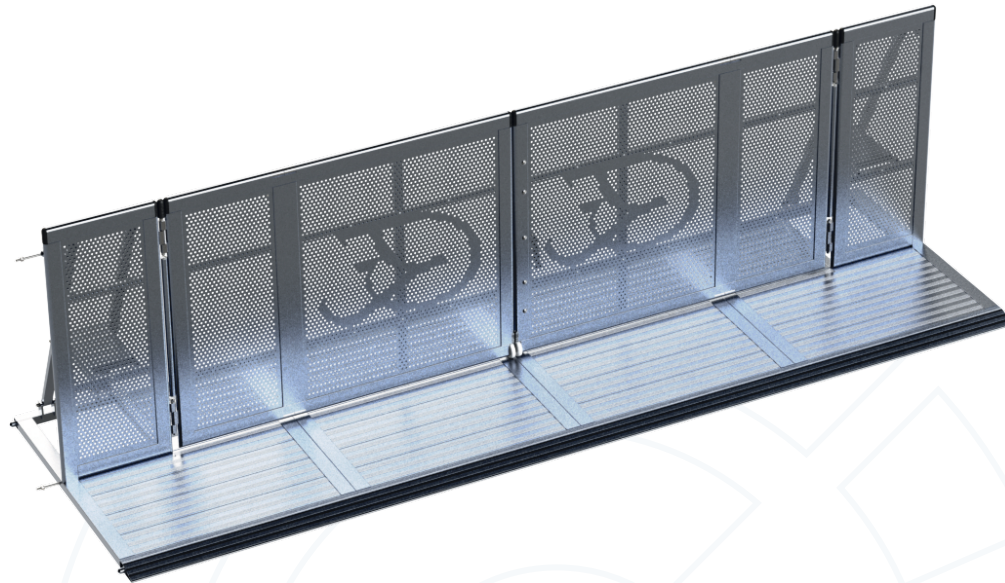
- **Fingers Save System**
- Gate access width: 180 cm
- Anti skid sloped deck front and back
- Extended anti skid footboard for a better stable
- Safe and comfortable solutions for both the audience and rescue personnel.



STAGE BARRIERS

EMERGENCY MEGA GATE MODULE

In Inventory **SOON**

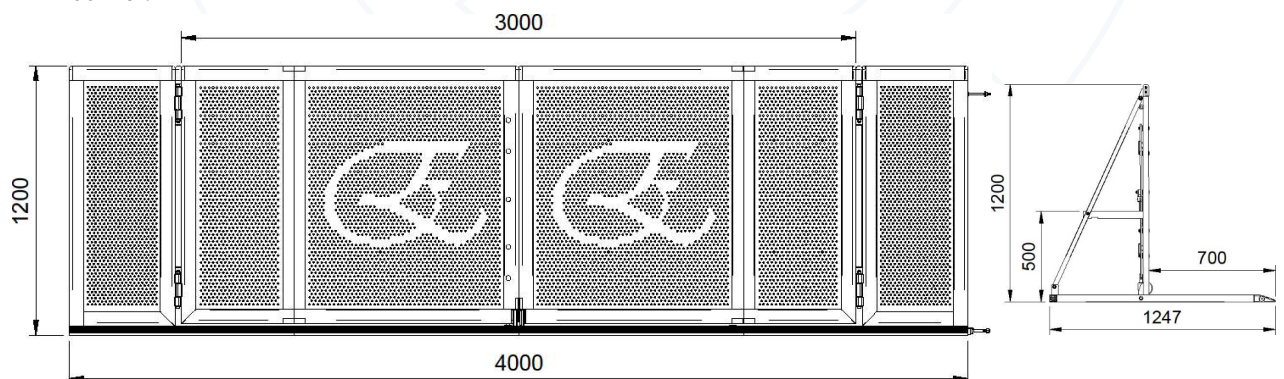


Emergency Mega gate module

Emergency Mega Gate Module is a fast and comfortable access: two separate door gates provide a convenient entrance and/or exit point for your staff and Emergency Cars, before, during and after the event (Gate access width - 300 cm).

The **Emergency access barrier** can be used as regular barrier when audiences and spectators need to be held at a distance but also as a gateway to quick walk through when a bigger opening is needed.

The **anti skid - sloped deck** front and back allow a easier lifting of people with health issue over the barrier.



TECHNICAL DATA

Material	Aluminum alloy
Open Barrier dimensions	400 x 125 H 120 cm
Closed Barrier dimensions	100 x 125 H 20 cm
Gate access width	300 cm
Weight	170 kg

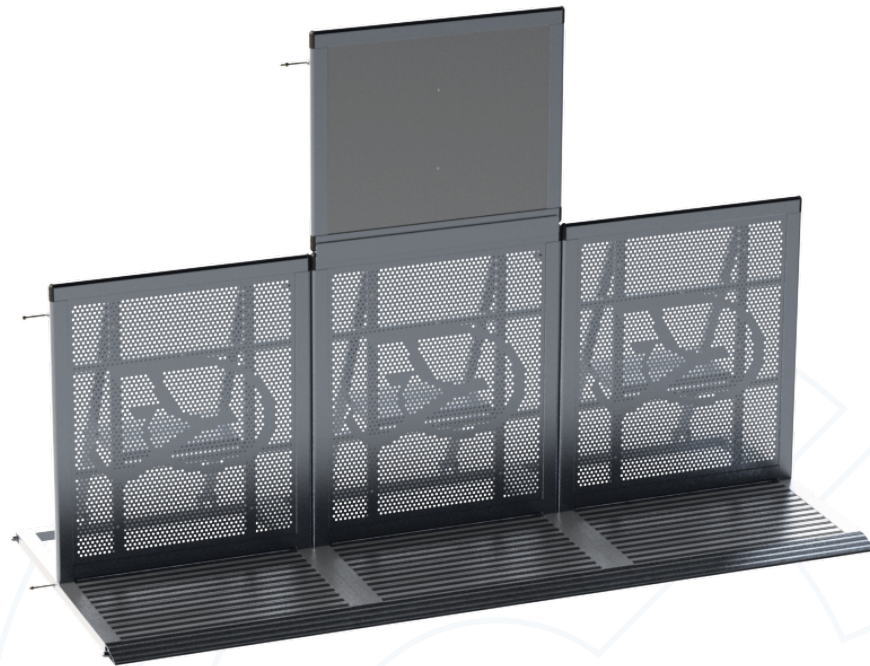
Advantages

- **Fingers Save System**
- Gate access width: 300 cm
- Anti skid sloped deck front and back
- Extended anti skid footboard for a better stable
- Safe and comfortable solutions for both the audience and rescue personnel.



STAGE BARRIERS VIEW BLOCK ELEMENT

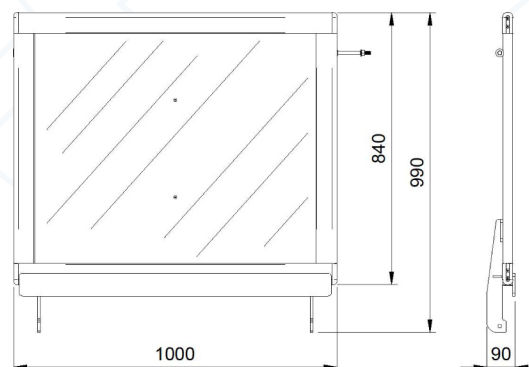
In Inventory **SOON**



View Block Element

The **View Block Element** is suitable as an additional element for an opaque increase of barricade lines and are a good support for signage. By blocking the view, the **View Block Elements**, are ideal for keep the entrances / exits areas as free as possible, or for creating separate private areas for dedicated areas.

The elements can protect artists, security personnel, or crew members.



TECHNICAL DATA

Material	Aluminum alloy
Element dimensions	100 x 99 H 9 cm
Crowd Barrier + View Block Element total height	200 cm
Weight	12,5 kg

Advantages

- **Fingers Save System**
- Safe and comfortable solutions for both the audience and rescue personnel.

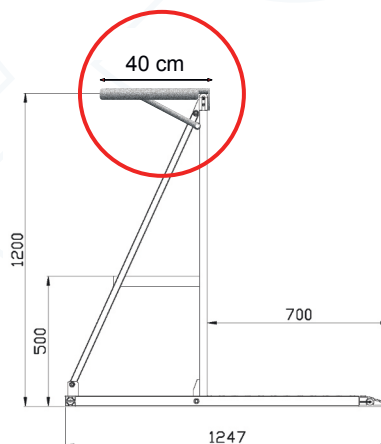
STAGE BARRIERS SIGHTLINE KILL ELEMENT

In Inventory **SOON**



Merchandise Stand Module

Merchandise Stand Module (100x40 cm) it can transform the Standard Module into stable counters. Ideal for serving areas such as F&B (food and drinks), merchandise stands, sales counters, info point and more.



TECHNICAL DATA

Material	Aluminum alloy
Element dimensions	100 x 99 H 9 cm
Crowd Barrier + View Block Element total height	200 cm
Weight	12,5 kg

Advantages

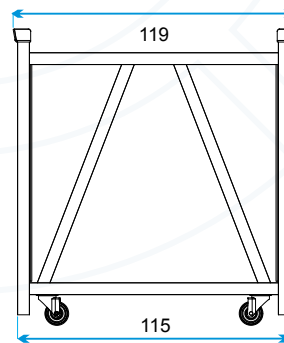
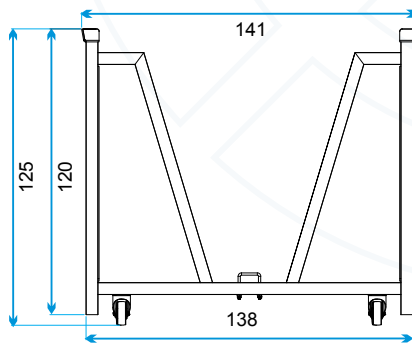
- **Fingers Save System**
- Safe and comfortable solutions for both the audience and rescue personnel.

STAGE BARRIERS DOLLY TRANSPORT MODULE



Dolly transport module

A aluminum dolly has been developed to hold 10 folded standard crowd barriers. Crowd barriers folded flat are easily stored and transported in the dolly. The dollies transport module can be stacked on top of each other to save space in storage.



TECHNICAL DATA

Material	Aluminum alloy
Dolly dimensions	119 x 141 H 120 cm
Number of barriers	10 folded standard crowd barriers
Weight	45 kg

Advantages

- **Fingers Save System**
- Extended anti skid footboard for a better stable
- Safe and comfortable solutions for transport

EVENT SECURITY

HOSTILE VEHICLE MITIGATION



EVENT SAFETY MANAGEMENT

E office@noaevent.ro T + 40 728 303927 W www.crowdandsafety.ro

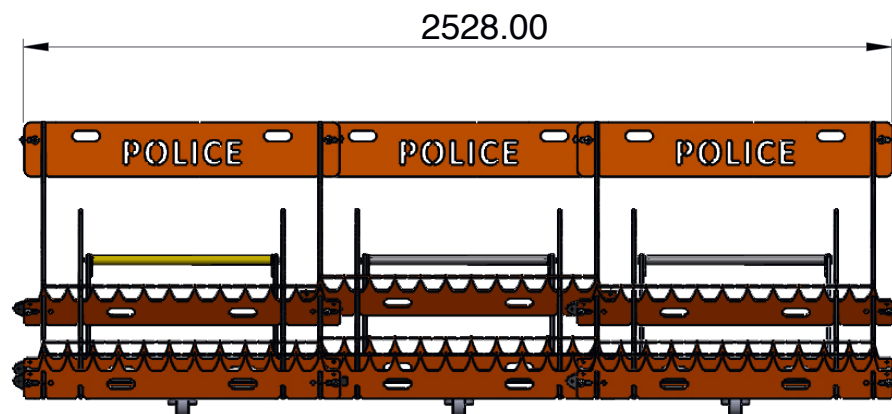
EVENT SAFETY MANAGEMENT



PARB - PORTABLE ANTI-RAM BARRIER

"RAEM" provides a modular, portable and robust anti-ram barrier to meet the requirements of security forces in pedestrian areas during restricted public events. The "RAEM" barrier is a unique and exclusive new product, developed by Raem Security Products owned by "Tehila" Metal Works Group Ltd, an Israeli company, founded in 2002.

Distributed by G.G Defense Systems Ltd. as G.G.D.F "**PARB**" TM.



TECHNICAL DATA

Material
PARB module dimensions
Dolly transport capacity
Weight

reinforced steel with epoxy polyester
253 x 140 x 80h cm
one module
320 kg

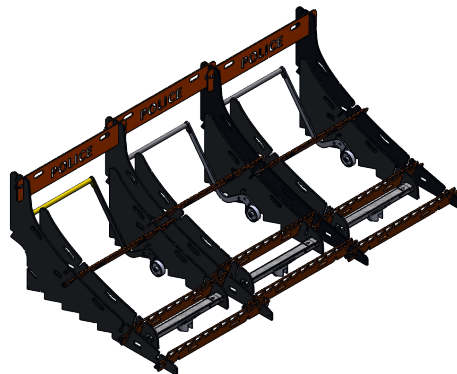




PARB - PORTABLE ANTI-RAM BARRIER

The main characteristics of "PARB" barriers are:

- Modular structure for use in a variety of devices and scenarios.
- Wheels for rapid movement of the barrier.
- Designed for use on asphalt, cement, sand, etc.
- Total 180° protection.
- Fast transport to the placement point.
- Complies with MIL-SPEC standards.



TECHNICAL DATA

Material	reinforced steel with epoxy polyester
PARB module dimensions	253 x 140 x 80h cm
Dolly transport capacity	one module
Weight	320 kg





PARB - PORTABLE ANTI-RAM BARRIER

Certificates tests on heavy vehicles and stopping ability:

- **Standard IWA 14 - 1: 2013** - Portable anti-intrusion barrier V / 7200 (N3C) / 48/90: 15 - 7.2 ton truck launched at 48 km/h - Penetration 15 meters.
- **BSI PAS 68: 2013 Standard** - Portable anti-intrusion barrier - V / 7500 / (N3) /48/90:13.6 - 7.5 ton truck launched at 48 km/h - Penetration 13.6 meters.
- **ASTM - F2656-15 Standard** - Protection index C730 / 7200 - P3 penetration index - 7.2 ton truck launched at 48 km/h – classification P3.

TECHNICAL DATA

Material	reinforced steel with epoxy polyester
PARB module dimensions	253 x 140 x 80h cm
Dolly transport capacity	one module
Weight	320 kg



PARB - PORTABLE ANTI-RAM BARRIER

Certified Tests on Heavy Vehicles passed on June 6, 2018

- Full stop of 7.5 Ton (16535 lbs.) vehicle at 50 km/h (31 MPH) reached after 13.6 Meter (45 feet)
- Flat tires
- Broken front axles
- Steering wheel system destroyed
- Fuel tank punctured and severely damaged
- Vehicle is immobilized



TECHNICAL DATA

Material
PARB module dimensions
Dolly transport capacity
Weight

reinforced steel with epoxy polyester
253 x 140 x 80h cm
one module
320 kg



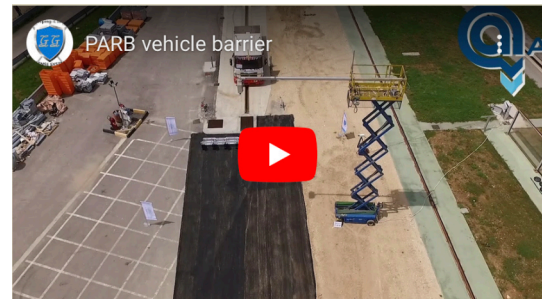
HOSTILE VEHICLE MITIGATION SECURITY BARRIERS

Inventory - 12 modules

VIDEO



<https://www.youtube.com/watch?v=-jlx4Ub17oo>



<https://www.youtube.com/watch?v=Sq7Ma2f50iQ>

FOTO



TECHNICAL DATA

Material
PARB module dimensions
Dolly transport capacity
Weight

reinforced steel with epoxy polyester
253 x 140 x 80h cm
one module
320 kg





CROWD CONTROL

CROWD CONTROL BARRIERS



EVENT SAFETY MANAGEMENT

E office@noaevent.ro T + 40 728 303927 W www.crowdandsafety.ro

EVENT SAFETY MANAGEMENT

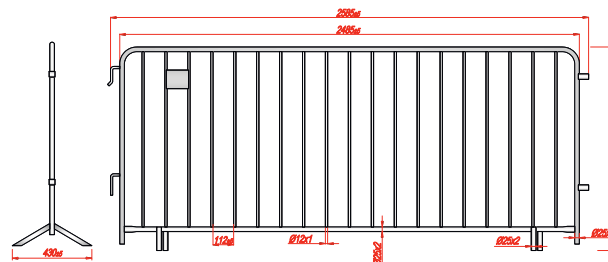


Foldable metal box pallets

A foldable metal box pallet has been developed to hold 30 pieces of cable cross.

The cable cross are easily stored and transported in the foldable metal box pallet.

The metal box pallets can be stacked on top of each other to save space in storage.



TECHNICAL DATA

Material	Painted metal in electrostatic field
Dolly dimensions	124 x 103 x 97 cm
Transport capacity	30 pieces of cable protection
Weight	65 kg

Advantages

- Equipped with wheels for easy handling
- Safe and comfortable solutions for transport



CROWD CONTROL

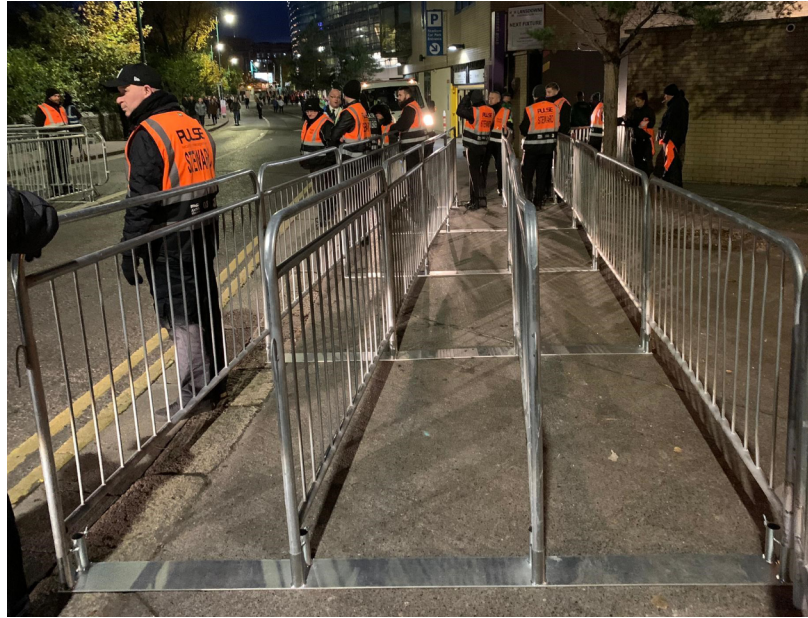
SECURITY LINE-UP GATES



EVENT SAFETY MANAGEMENT

E office@noaevent.ro T + 40 728 303927 W www.crowdandsafety.ro

EVENT SAFETY MANAGEMENT

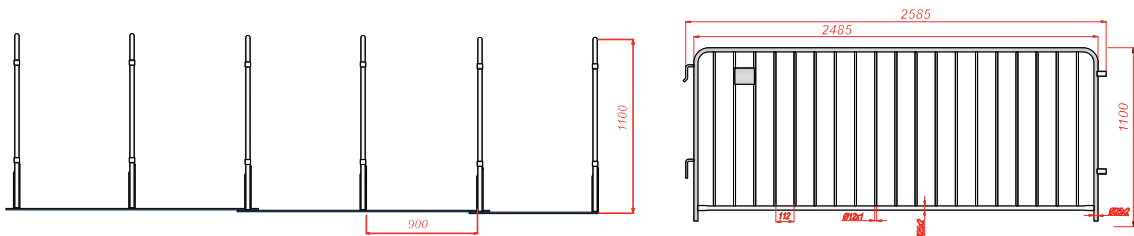


Security Line-Up Gates

A foldable metal box pallet has been developed to hold 30 pieces of cable cross.

The cable cross are easily stored and transported in the foldable metal box pallet.

The metal box pallets can be stacked on top of each other to save space in storage.



TECHNICAL DATA

Material	Painted metal in electrostatic field
Dolly dimensions	124 x 103 x 97 cm
Transport capacity	30 pieces of cable protection
Weight	65 kg

Advantages

- Equipped with wheels for easy handling
- Safe and comfortable solutions for transport

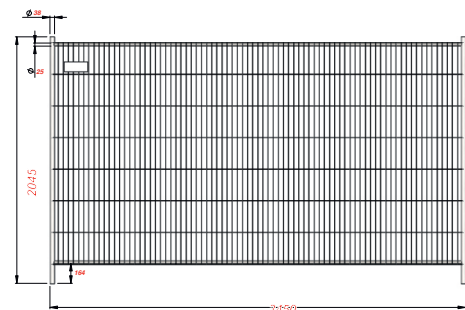
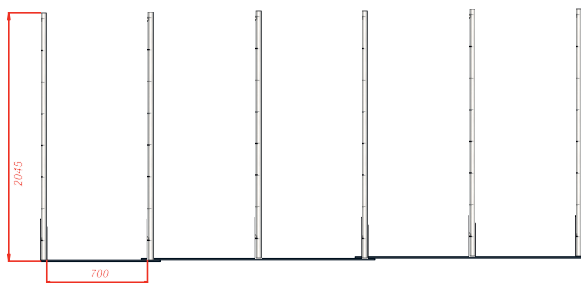


Security Line-Up Gates

A foldable metal box pallet has been developed to hold 30 pieces of cable cross.

The cable cross are easily stored and transported in the foldable metal box pallet.

The metal box pallets can be stacked on top of each other to save space in storage.



TECHNICAL DATA

Material	Painted metal in electrostatic field
Dolly dimensions	124 x 103 x 97 cm
Transport capacity	30 pieces of cable protection
Weight	65 kg

Advantages

- Equipped with wheels for easy handling
- Safe and comfortable solutions for transport

CROWD CONTROL

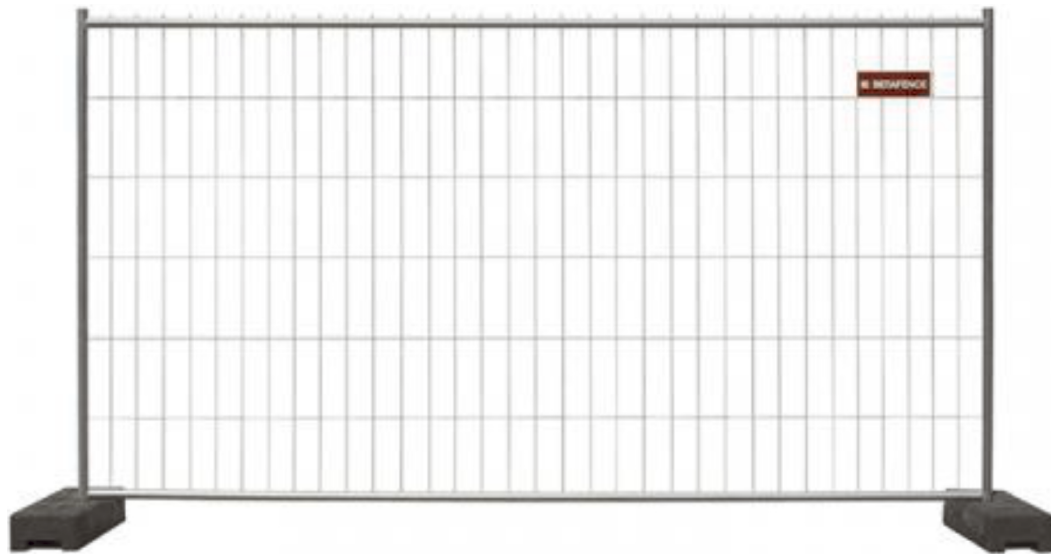
TEMPORARY FENCING



EVENT SAFETY MANAGEMENT

E office@noaevent.ro T + 40 728 303927 W www.crowdandsafety.ro

EVENT SAFETY MANAGEMENT

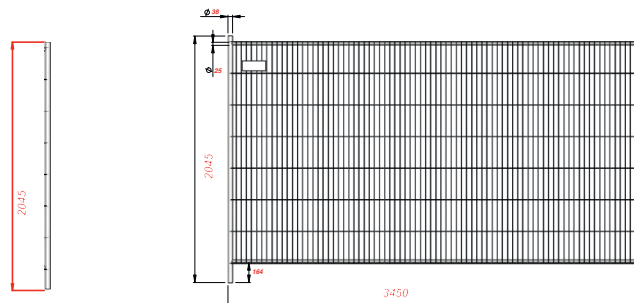


Foldable metal box pallets

A foldable metal box pallet has been developed to hold 30 pieces of cable cross.

The cable cross are easily stored and transported in the foldable metal box pallet.

The metal box pallets can be stacked on top of each other to save space in storage.



TECHNICAL DATA

Material	Painted metal in electrostatic field
Dolly dimensions	124 x 103 x 97 cm
Transport capacity	30 pieces of cable protection
Weight	65 kg

Advantages

- Equipped with wheels for easy handling
- Safe and comfortable solutions for transport

EVENT LOGISTIC

CABLE CROSS



EVENT SAFETY MANAGEMENT

E office@noaevent.ro T + 40 728 303927 W www.crowdandsafety.ro

EVENT SAFETY MANAGEMENT



EVENT SAFETY MANAGEMENT

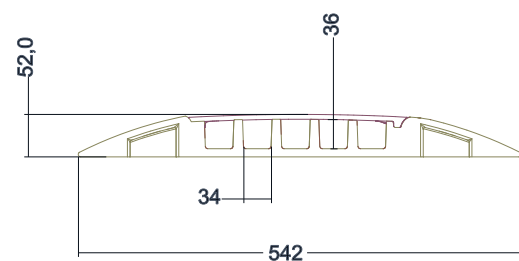
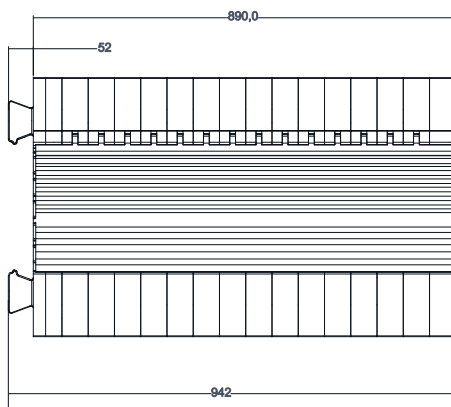
E office@noaevent.ro T + 40 728 303927 W www.crowdandsafety.ro

Cable Protector 5-Channel

Heavy-duty, non-slip all-round cable protector made of black polyurethane with built-in carrying handle.

Load bearing capacity approx. 55 / 25x30 cm

Yellow polyurethane lid with high warning effect and secure closure.



TECHNICAL DATA

5 channels 3,4x3,6 cm
Fire resistance class E
Dimensions 87 x 53,8 x 5,5 cm
Weight 13,5 kg



CABLE CROSS DOLLY TRANSPORT MODULE

Inventory - 10 pieces



Foldable metal box pallets

A foldable metal box pallet has been developed to hold 30 pieces of cable cross.

The cable cross are easily stored and transported in the foldable metal box pallet.

The metal box pallets can be stacked on top of each other to save space in storage.

TECHNICAL DATA

Material	painting metal in electrostatic field
Dolly dimensions	124 x 103 x 97 cm
Transport capacity	30 pieces of cable protection
Weight	65 kg

Advantages

- Equipped with wheels for easy handling
- Safe and comfortable solutions for transport

EVENT LOGISTIC SIGNAGE KIT



EVENT SAFETY MANAGEMENT

E office@noaevent.ro T + 40 728 303927 W www.crowdandsafety.ro

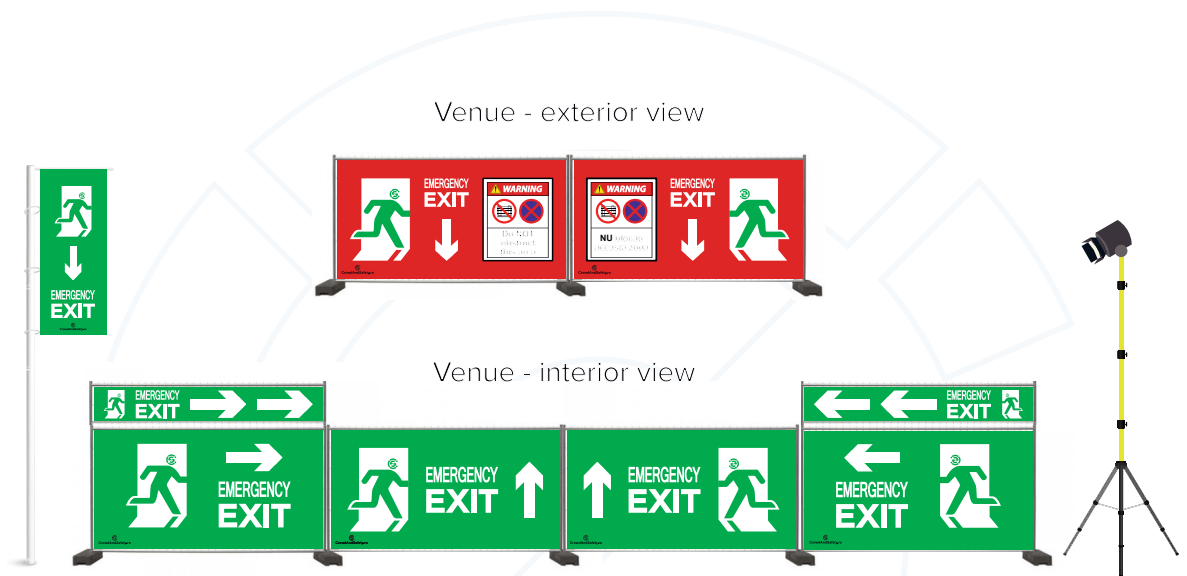
EVENT SAFETY MANAGEMENT



KIT INVENTORY

Flag - 6m flagpole, 1×2,5m flag cloth - one piece
 Floodlight - 4,5m pole/tripod, independent power source - 2 pieces
 DISCLAIMER banner - 3,5×2m - 2 pieces
 Public Entrance banner - 3,5×0,6m - 2 pieces
 Fence module - 3,5×0,6m - 2 pieces

- * depending on the particularities of the venue / event, the quantities may vary
- * at request, we are able to provide the quantity of necessary public entrance structures.

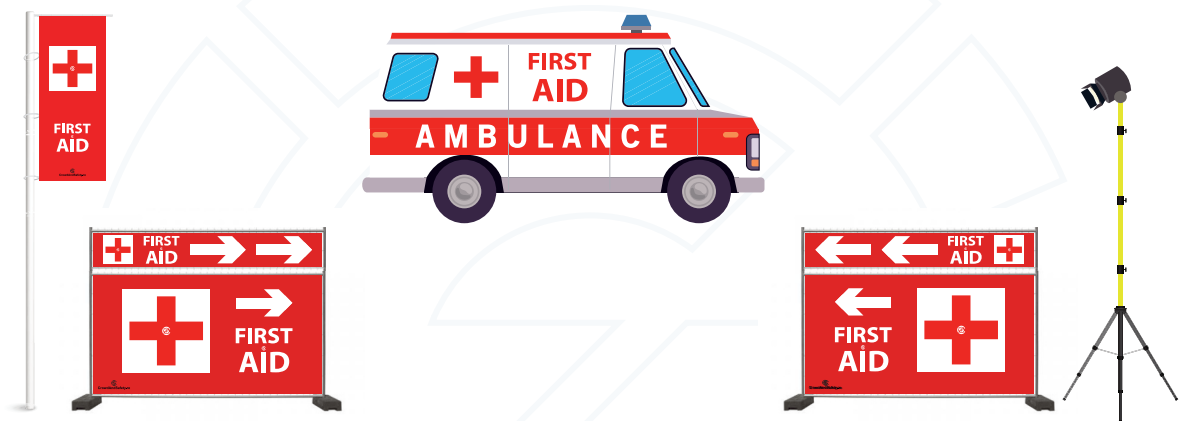


KIT INVENTORY

- Flag - 6m flagpole, 1×2,5m flag cloth - one piece
- Floodlight - 4,5m pole/tripod, independent power source - one piece
- Emergency exit banner - 3,5×2m - 4 pieces
- Emergency exit banner - 3,5×0,6m - 2 pieces
- Warning banner - 3,5×2m - 2 pieces
- Fence module - 3,5×0,6m - 2 pieces

* depending on the particularities of the venue / event, the quantities may vary

Venue - interior view



KIT INVENTORY

Flag - 6m flagpole, 1×2,5m flag cloth - one piece one piece
 Floodlight - 4,5m pole/tripod, independent power source - one piece
 First Aid banner - 3,5×2m - 2 pieces
 First Aid banner - 3,5×0,6m - 2 pieces
 Fence module - 3,5×0,6m - 2 pieces

- * depending on the particularities of the venue / event, the quantities may vary
- * at request, we could also provide a customized medical plan for your event.

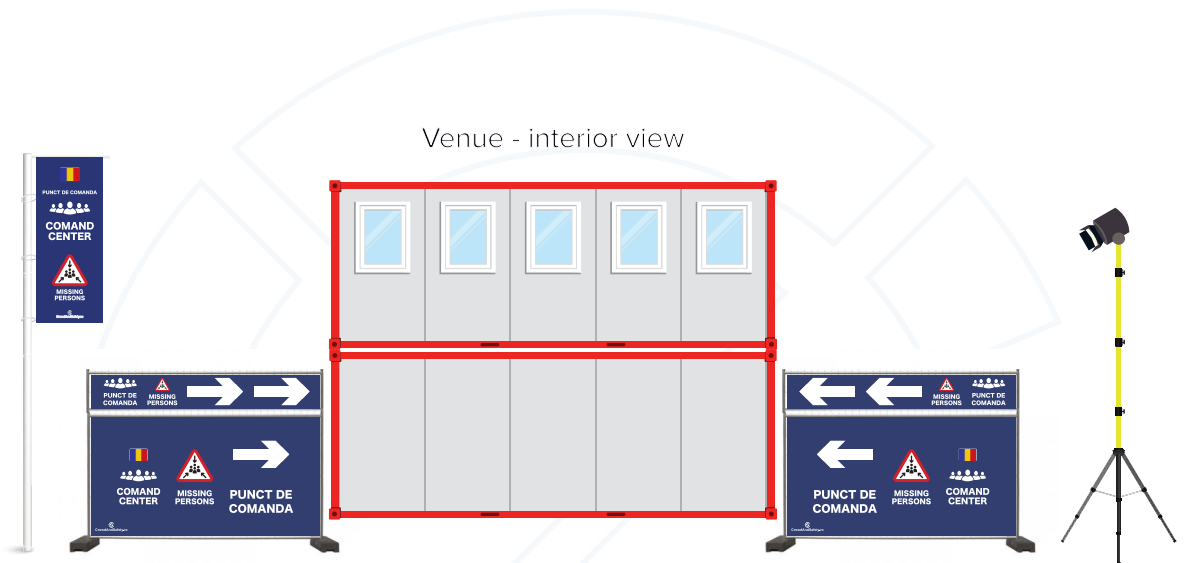
Venue - interior view



KIT INVENTORY

Flag - 6m flagpole, 1×2,5m flag cloth - one piece one piece
 Floodlight - 4,5m pole/tripod, independent power source - one piece
 First Fighters banner - 3,5×2m - 2 pieces
 First Fighters banner - 3,5×0,6m - 2 pieces
 Fence module - 3,5×0,6m - 2 pieces

* depending on the particularities of the venue / event, the quantities may vary
 * at request, we could also provide a customized plan for your event.

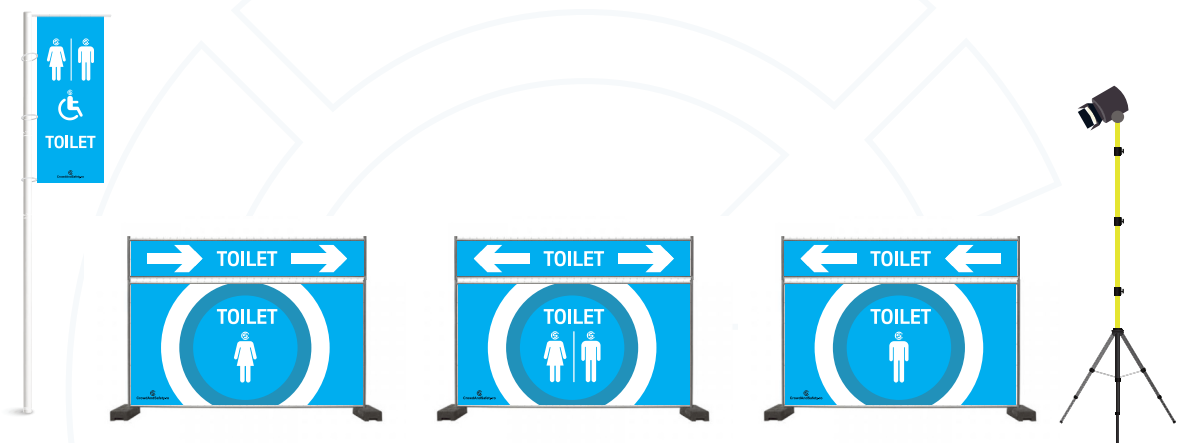


KIT INVENTORY

Flag - 6m flagpole, 1×2,5m flag cloth - one piece one piece
 Floodlight - 4,5m pole/tripod, independent power source - one piece
 Command Center banner - 3,5×2m - 2 pieces
 Command Center banner - 3,5×0,6m - 2 pieces
 Fence module - 3,5×0,6m - 2 pieces
 20' office containers compound (2, 3, or 4 pieces), equipped and operational (furniture, AC, appliances, etc).

* depending on the particularities of the venue / event, the quantities may vary

Venue - interior view



KIT INVENTORY

Flag - 6m flagpole, 1×2,5m flag cloth - one piece one piece
 Floodlight - 4,5m pole/tripod, independent power source - one piece
 First Toilets Area banner - 3,5×2m - 3 pieces
 First Toilets Area banner - 3,5×0,6m - 3 pieces
 Fence module - 3,5×0,6m - 3 pieces

* depending on the particularities of the venue / event, the quantities may vary

EVENT SAFETY MANAGEMENT

E office@noaevent.ro T + 40 728 303927 W www.crowdandsafety.ro



KIT INVENTORY

Flag - 6m flagpole, 1×2,5m flag cloth - one piece one piece

* depending on the particularities of the venue / event, we are able to provide all the models necessities



Venue - interior view
high fence

KIT INVENTORY

Design banner - 3,5×2m - TBD

- * depending on the particularities of the venue / event, we are able to provide all the numbers necessities
- * at request, we are able to provide the quantity of necessary high fence

EVENT SAFETY MANAGEMENT
E office@noaevent.ro T + 40 728 303927 W www.crowdandsafety.ro



Venue - interior / exterior view
low fence



KIT INVENTORY

Design banner - 2,5x1,2m - TBD

- * depending on the particularities of the venue / event, we are able to provide all the numbers necessities
- * at request, we are able to provide the quantity of necessary low fence

HERE FOR YOU!

Emergency Exit

Venue

Entrance

Emergency Exit

EVENT SAFETY MANAGEMENT

E office@noaevent.ro T +40 728 303927 W www.crowdandsafety.ro

EVENT SAFETY MANAGEMENT